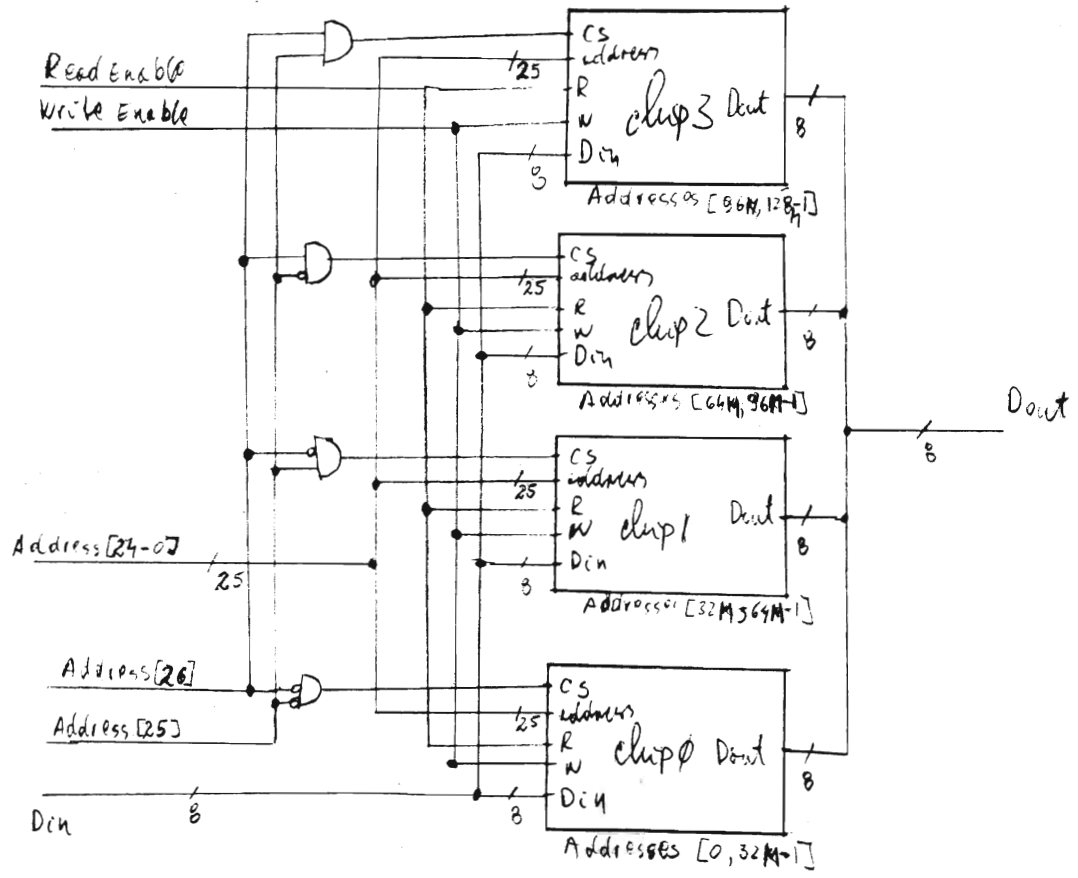
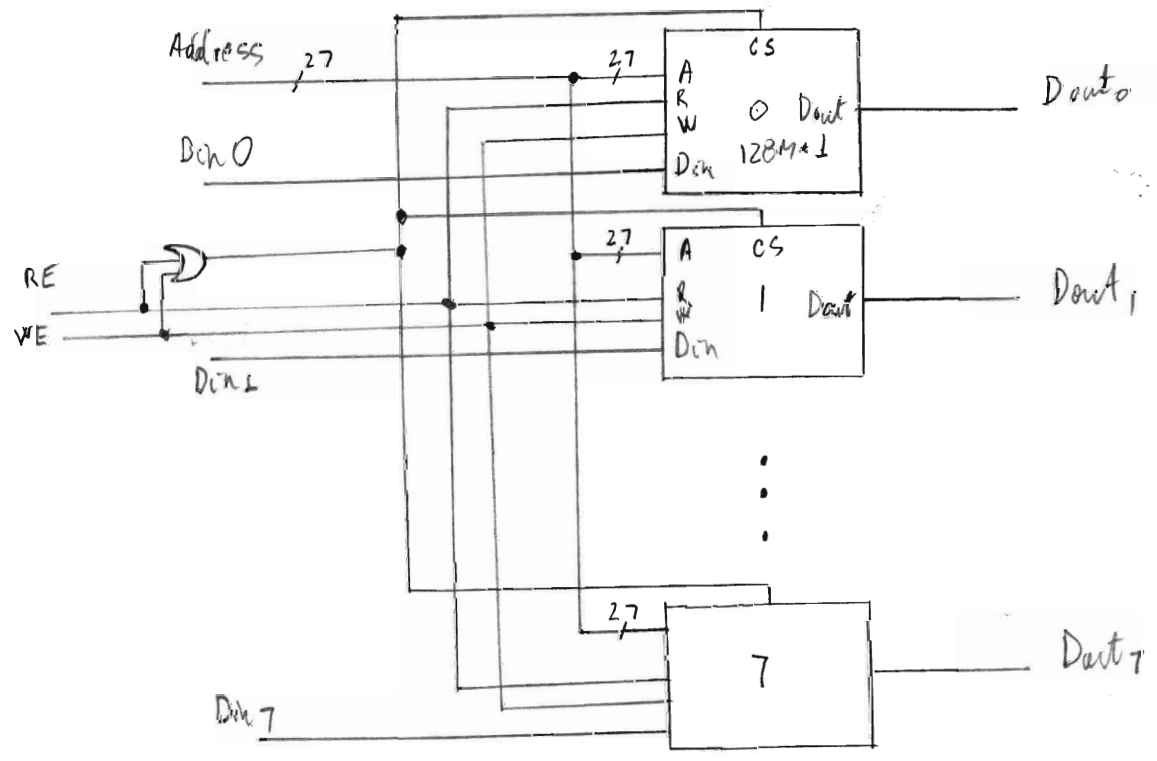


MIPS Register file with 32 32-bit registers
 Design at the level of flop-flop, decoder & multiplexers

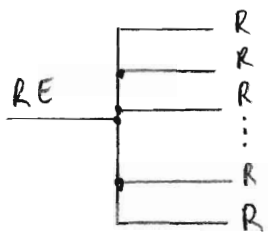
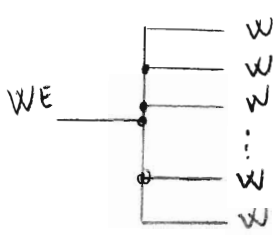
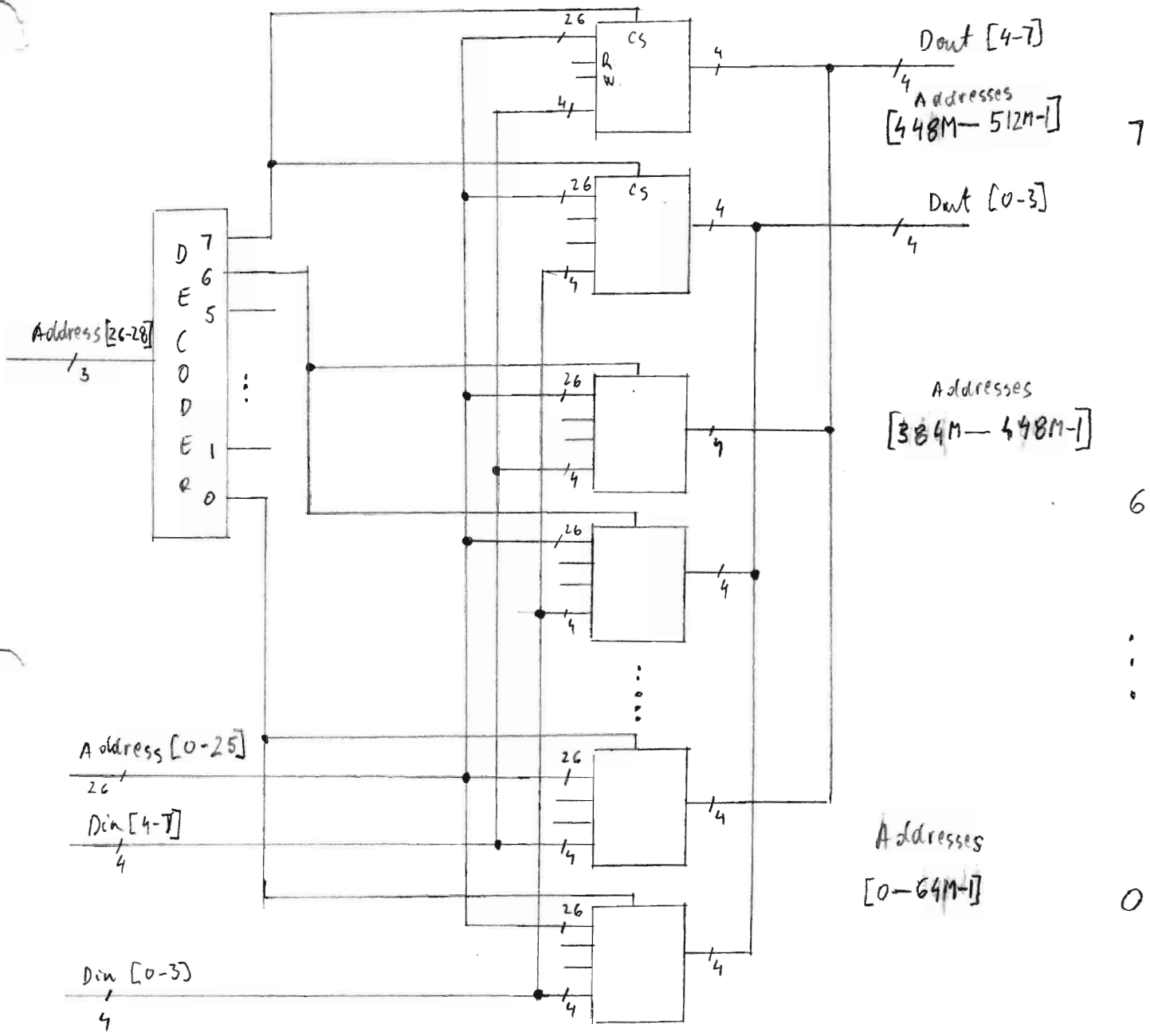
Design A



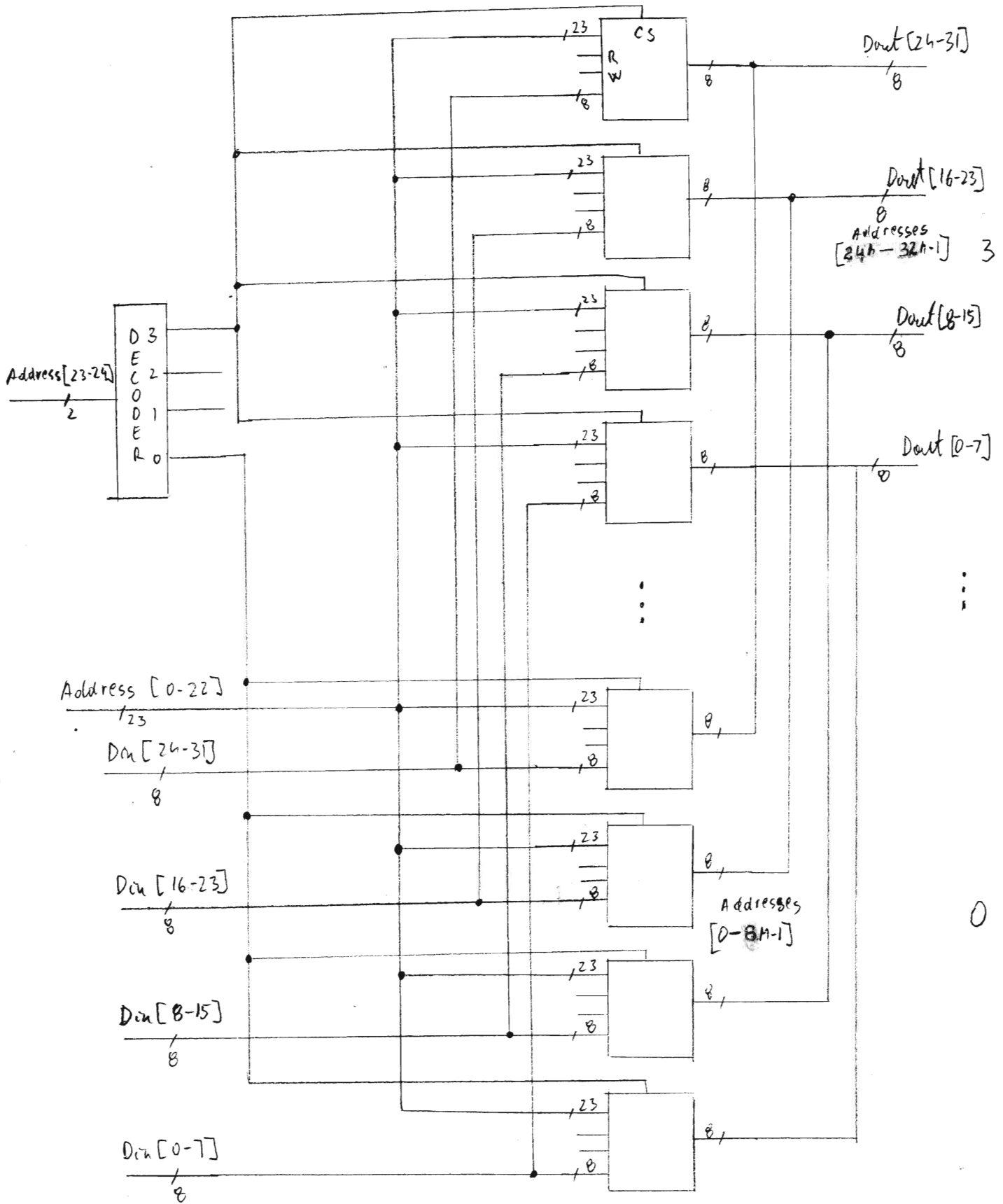
Design C



Design B



Example 1:



Design E:

